



## External power supply ZAFIRPWS

# ALGORITHMIC ADDRESSABLE SYSTEM




External Power Supply (with batteries charge incorporated) for fire detection and fire alarm systems. Certified according EN 54-4.

This equipment is specially recommended for properly feeding any fire detection device which requires external power supply.


It has two outputs:

- Two 30V output monitored and protected by a fuse, for easy connection.
- Dry contact fault output, for integration with other systems.

The system has three indication leds to show system status:

 RED (green): system operating through 110/230 V/AC power supply.

 BATTERY (green): system operating under batteries.

 FAULT (amber): system fault, general power supply fault or fault in the auxiliary battery supply.

There are 2 models available depending on the needs of the system:

- ZAFIRPWS2 (65W): supply capacity 1,5A (65w).
- ZAFIRPWS5 (150W): supply capacity 4A (150w).

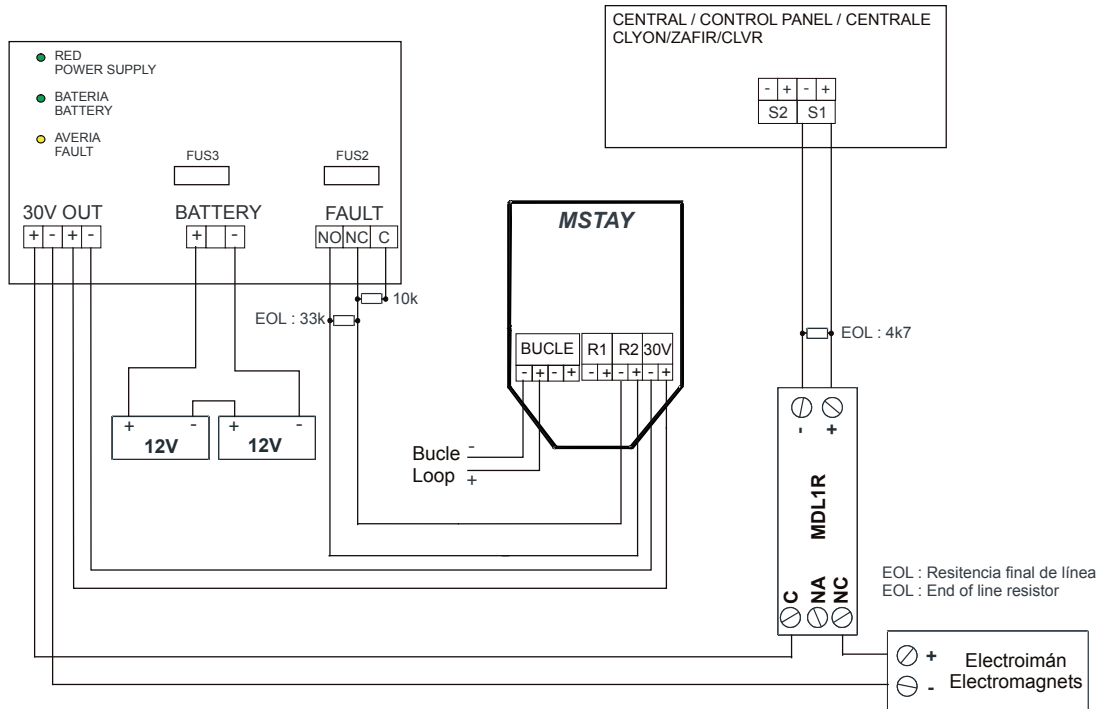
General power supply connection is different between the two models. ZAFIRPWS2 is connected to electrical network by a connector located on the right side of the box. ZAFIRPWS5 is connected to electrical network directly to the switching power supply.

External Power Supply is placed inside a metallic box of 363 x 331 x 96 mm, which allow additional space for installing batteries (2x12 Vdc7Ah).

### TECHNICAL FEATURES

Power supply	110/230V 50-60Hz/AC
Consumption in standby	50 mA
Output voltage	29 ~ 29,5 V/AC
Output current	ZAFIRPWS2: 1,5A ZAFIRPWS5: 4A
Batteries charger	Yes
Humidity	20 - 95% HR
Temperature	-10°C to +50°C
Dimensions	363 x 331 x 96 mm
IP protection	IP 30
Standard	EN 54-4

## ZAFIRPWS WIRING DIAGRAM ALGORITHMIC ADDRESSABLE SYSTEM



## ZAFIRPWS WIRING DIAGRAM FAULT OUTPUT

