



# CLVR02-12Z

## Conventional automatic control panel



Automatic conventional fire detection and fire alarm control panel.

This control panel provides different versions to fit more accurately to the needs of each facility:

- CLVR 02Z: CLVR Control panel up to 2 zones.
- CLVR 04Z: CLVR Control panel up to 4 zones.
- CLVR 08Z: CLVR Control panel up to 8 zones.
- CLVR 12Z: CLVR Control panel up to 12 zones.

CLVR control panels features are common in all its models.

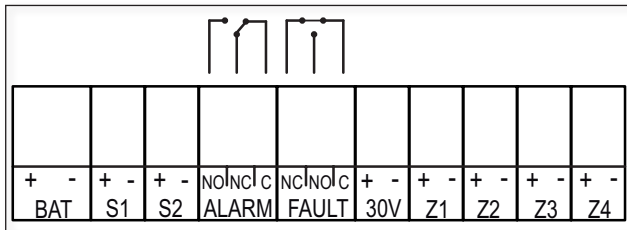
Features:

- Control panels up to 12 zones for conventional detectors and call points use.
- 2 supervised sounder outputs, delayed from 0 to 10 minutes, and protected by a fuse.
- 1 alarm output through a dry contact NO/NC (normally open / normally closed).
- 1 fault output through a dry contact NO/NC (normally open / normally closed).
- 2 auxiliary outputs 30V/DC supervised and protected by a fuse to feed external (magnetic fire doors, sounders, etc).
- Available testing mode to facilitate the quick and easy verification of the sensors and call points.
- It allows to configure the open line, alarm detector and alarm call point threshold, to adjust to the operation with other detectors.
- It allows to configure the last detection zone as a supervision input of a external protection fire system with a fault indication.
- Metallic chest with frontal bolted door, 4 predrilled of 28 mm and one rectangular else of 140 x 20 mm for electric wiring and space for 2 batteries of 7Ah.
- RS485 MODBUS protocol on-demand.
- Possibility of software ON-LINE on PC using MODBUS functionality.
- CONTACTID on-demand.
- Certified according to EN 54-2 & EN 54-4 standards and CE mark .

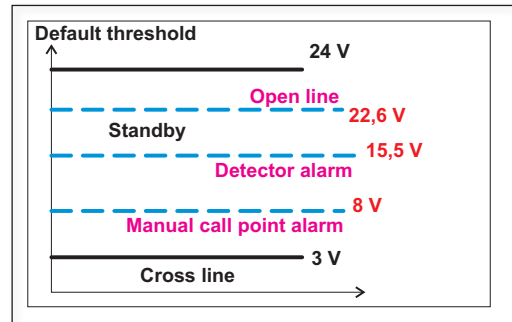
### TECHNICAL FEATURES

<i>Input voltage</i>	110/230VAC 50/60Hz	<i>End of line capacitor</i>	4 K7
<i>Output voltage</i>	21 V Nominal	<i>Sounder output voltage</i>	30 V/DC
<i>Maximum consumption</i>	70 VA to 230 V/AC	<i>Fault output</i>	Yes, dry contact
<i>Batteries</i>	2 x 12 V 7 Ah SLA	<i>Environmental conditions</i>	-10°C +50°C
<i>Max. voltage 30V output</i>	0,75A / 1,50A <sup>(1)</sup> AUTORESET	<i>Size</i>	363 x 331 x 96 mm
<i>Battery charger</i>	500 mA 27 V/DC 20°C	<i>Weight (without batteries)</i>	4,3 Kg
<i>Devices per zone</i>	32	<i>Standar</i>	EN 54-2, EN 54-4 & EN 12094-1
<i>Control panel power supply</i>	2,2 A	<i>Sounder output fuse S1</i>	1A / 1,85A <sup>(1)</sup> Autoreset
<i>Maximum current per zone</i>	2 mA (standby)	<i>Sounder output fuse S2</i>	1A / 0,75A <sup>(1)</sup> Autoreset

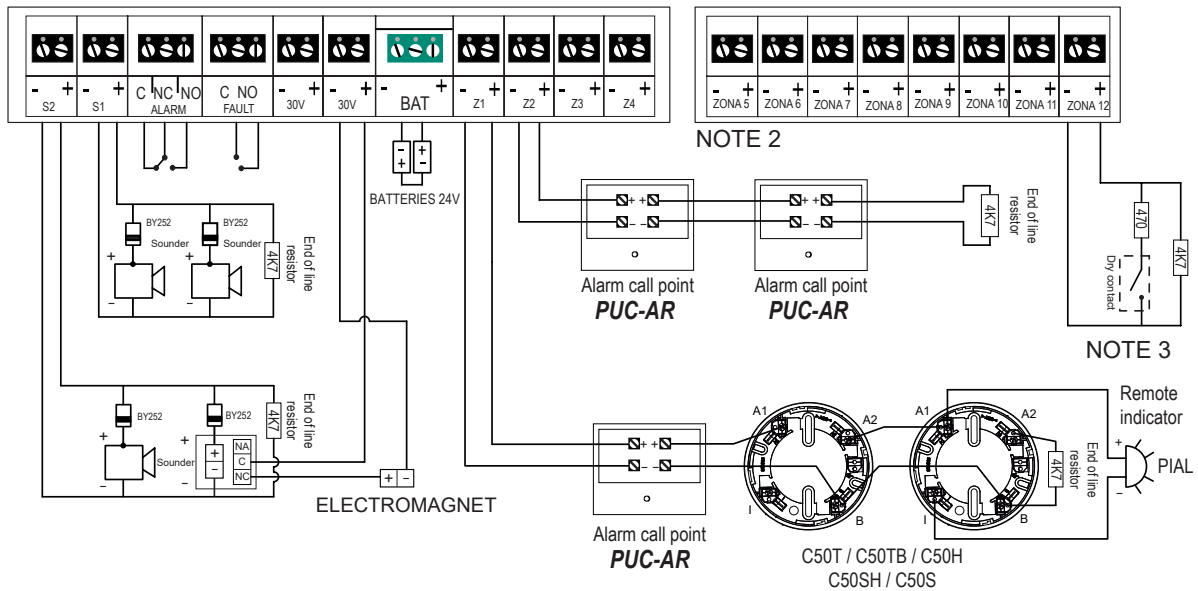
<sup>(1)</sup> CLVR08Z and CLVR12Z control panels



NOTE 1



\* Only CLVR02Z / CLVR04Z

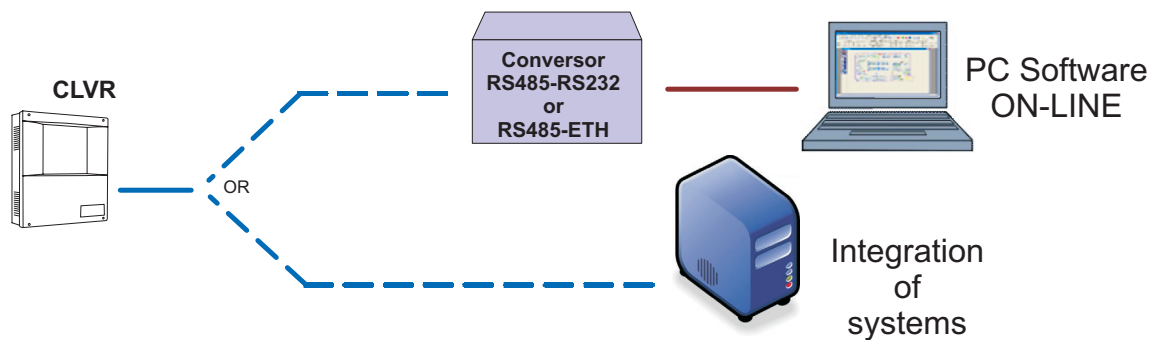


NOTE 1: Zones 3 and 4 are not functional in CLVR02Z control panel.

NOTE 2: This card contains 4 or 8 zones depending on the model (CLVR08Z/CLVR12Z).

NOTE 3: Last zone configured for external system monitoring.

Example of general wiring diagram



Example of connection for MODBUS functionality