



LONDON

Automatic conventional control panel



The London control Panel has been designed according EN54 part 2 and 4 in accordance with the last directives, successfully overcoming the most severe tests of environmental conditions, conducted electrical noise, magnetic disturbances, vibration, etc.

Based in a micro processed technology of 16 bits, used this for managing the detection system and performed manoeuvres. It allows conventional detectors, with the following voltage levels:

- Open line	22,5 V	24 V
- Surveillance mode	19 V	22,5 V
- Detector alarm	7 V	16 V
- Call point alarm	3,5 V	7 V
- Crossed line	0 V	3,5 V

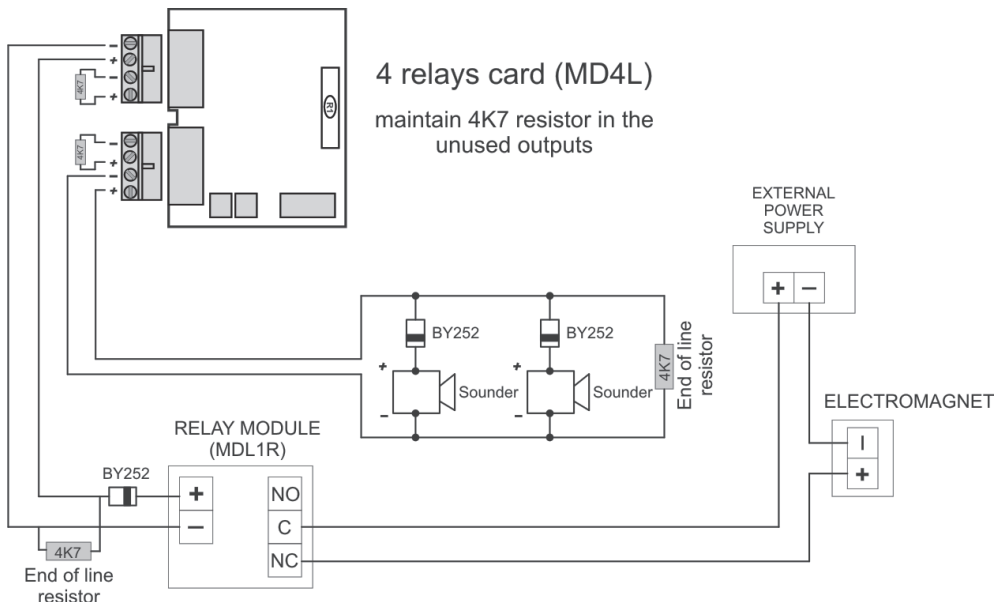
Measuring the line voltage and knowing the voltage merges aforementioned, a correspondence can be established with the control panel indication.

Features:

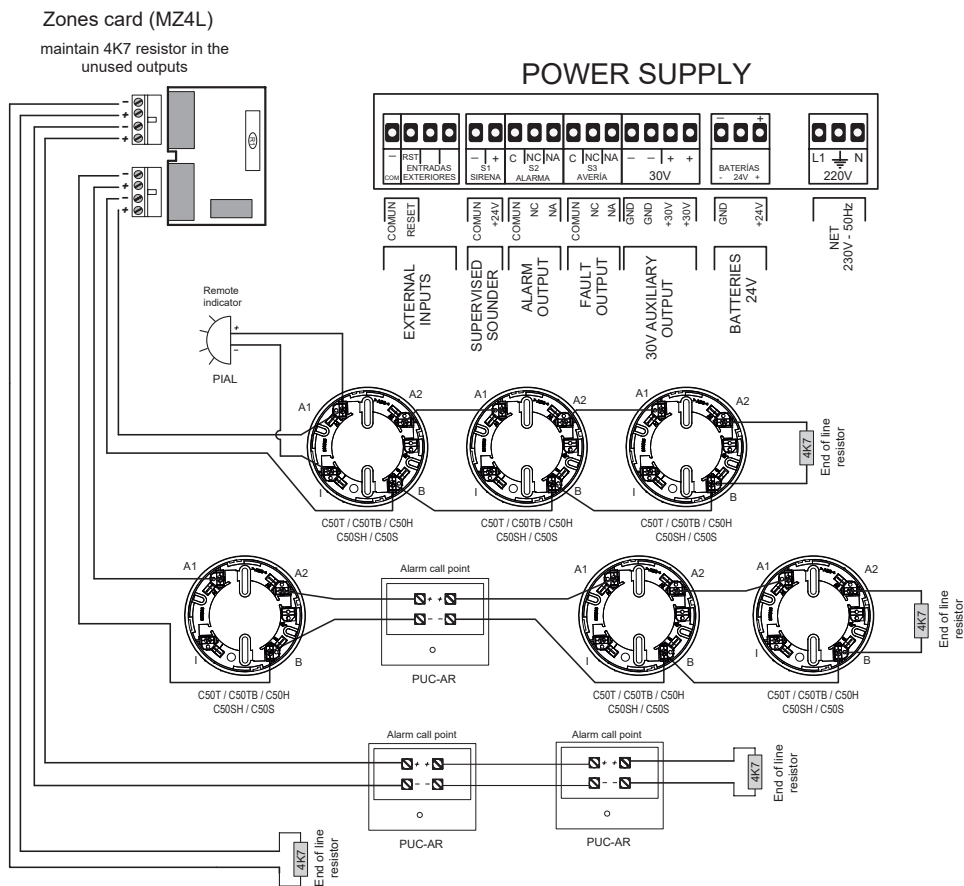
- Control panel configurable up to 12 modules, with 4 zones or 4 relays (control panel limit of 48 outputs, relays and zones).
- Expandable up to 32 modules with an additional cabinet (limit 128 outputs, zones and relays).
- Supports up to 32 devices (detectors and call points) per zone.
- Configurable with PC-EasyLONDON software (RS232).
- It allows to connect an external keyboard (standard PC-PS2).
- It allows the connection of 10 repeaters.
- 30Vdc auxiliary output.
- Equipped with 1 delayed sounder output (0 to 10 minutes) and supervised.
- Equipped with 1 alarm output and 1 fault output as free voltage relays.
- It allows the connection of a printer (RS232).
- Certified according EN 54-2 and EN 54-4, and CE mark.
- Access to the panel keyboard by means of a numeric code.
- Size: 418 x 324 x 150 mm.

TECHNICAL FEATURES

<i>Input voltage</i>	230 V 50 Hz/AC	<i>Maximum current per zone</i>	2 mA (standby)
<i>Output voltage</i>	21 V Nominal	<i>End of line capacitor</i>	4 K7
<i>Standby consumption</i>	70 mA	<i>Sounder output voltage</i>	24V/DC 2 A
<i>Alarm consumption</i>	140 mA	<i>Fault output</i>	No
<i>Batteries</i>	2 x 12 V 7 Ah SLA	<i>Environmental conditions</i>	-10°C +50°C
<i>Supply fuse</i>	4 A	<i>Size</i>	418 x 324 x 150 mm
<i>Battery charger</i>	500 mA 27V/DC 20°C	<i>Weight (without batteries)</i>	5.9 Kg
<i>Devices per zone</i>	32	<i>Standard</i>	EN 54 parts 2 & 4
<i>Control panel power supply</i>	3 A	<i>Max. voltage 30V output</i>	1 A



Example of a relay card wiring diagram



Example of a zones card connection diagram