

PUC-DRE PUC-PRE

Extinguisher call points

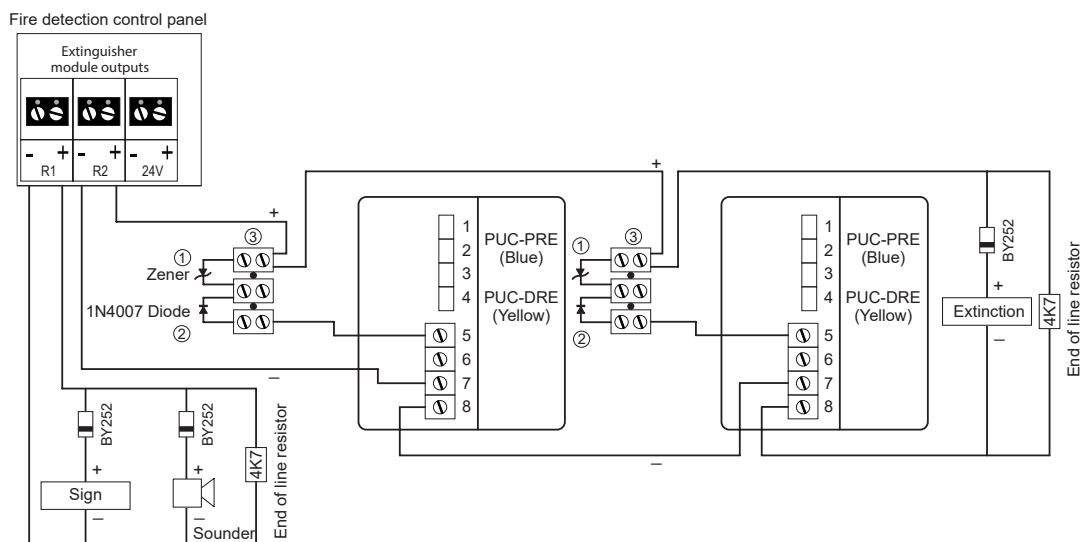
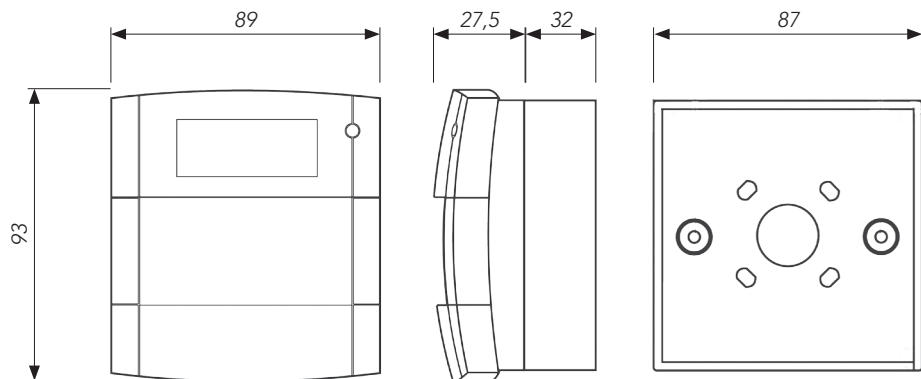


Manual call points for the shut-down and triggering of extinguisher systems using gaseous agents. The call points are actuated by breaking a fragile component (glass).

Fitted with a protective cover to prevent accidental activations.

The PUC-DRE model is the yellow extinguisher triggering call point, based on standard EN 12094-3. The PUC-PRE model is the blue extinguisher shut-down call point, based on standard EN 12094-3.

Maximum voltage	30Vdc
Alarm consumption	35 mA
Humidity	93% RH
Temperature	-10 a +55 °C
IP protection	IP24D
Standard	EN 12094-3



Note 1: Zener 5V1 for PUC-DRE call point. Zener 9V1 for PUC-PRE call point

Note 2: 1N4007 diode

Note 3: Strip

Note 4: PUC-DRE and PUC-PRE can be placed in any order on the connection line.

Components (1), (2) and (3) come with the call point