



# Conventional automatic control panel

## IRON02-04



Automatic conventional fire detection and fire alarm control panel.

This control panel provides different versions to fit more accurately to the needs of each facility:

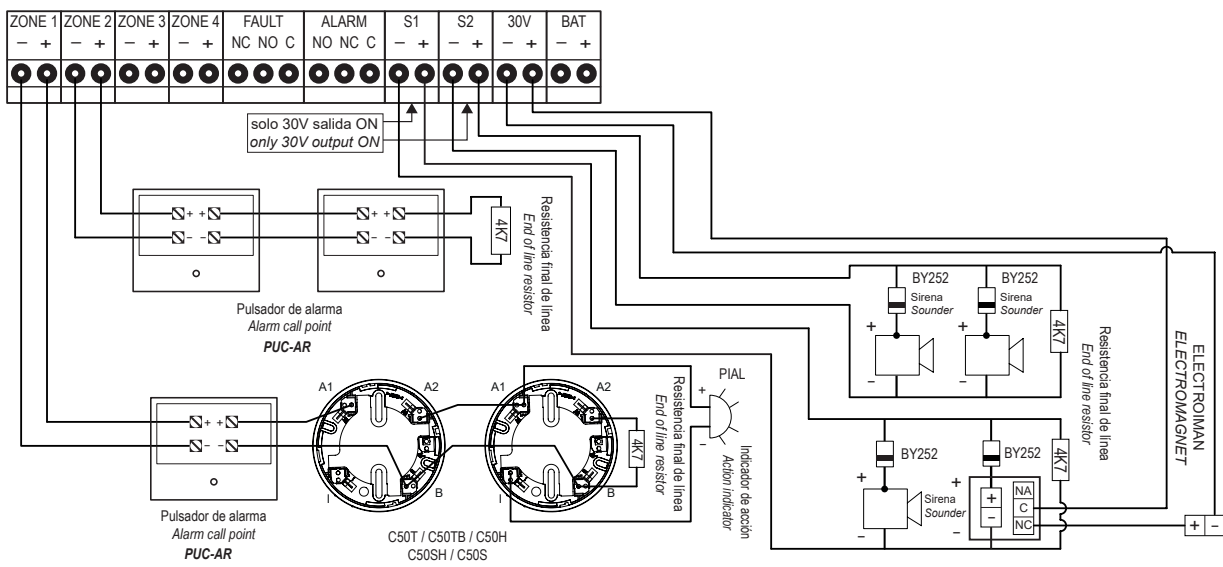
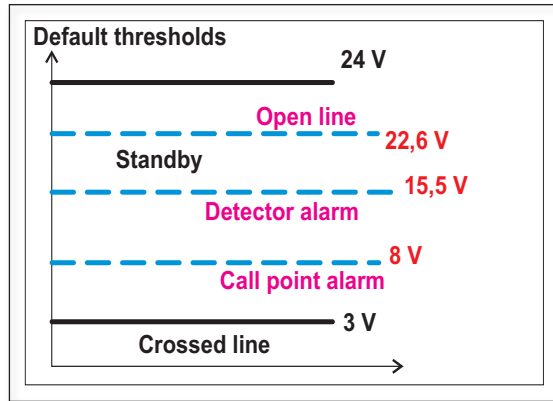
IRON02: IRON control panel with 2 detection zones.

IRON04: IRON control panel with 4 detection zones.

The features of the IRON control panel are:

- 2 or 4 zones control panels for use with conventional detectors and alarm call points.
- Up to 32 elements (with detectors and alarm call points) per zone.
- 2 supervised general sounder outputs, delayable from 0 to 7 minutes, each protected by a self-rearming fuse.
- 1 immediate alarm output using a NO/NC (Normally Open/Normally Closed) dry contact.
- 1 immediate fault output using a NO/NC (Normally Open/Normally Closed) dry contact.
- 1 auxiliary 30 V/DC output supervised and protected by a auto-resettable fuse for external power supply (fire door electromagnets, sirens, etc).
- It has a Test Mode to facilitate quick and easy testing of detectors and alarm call points.
- Allows open line, detector alarm and call points alarm thresholds to be configured to suit operation with other detectors.
- Metal box with front screwed door, 10 pre-drilled 28 mm holes for wiring, and space for 2 x 2 Ah batteries.
- Certified according to EN 54-2 and EN 54-4 with CE marking.

TECHNICAL FEATURES			
Input voltage	110/230VAC 50/60Hz	End of line capacitor	4K7
Output voltage	21V Nominal	Output voltage S1	30V/DC 0,5A
Maximum consumption	65VA a 230V/AC	Output voltage S2	30V/DC 0,5A
Batteries	2x12V 2Ah SLA	Fault output	Yes, dry contact
Maximum voltage 30V output	0,5A	Environmental conditions	-10°C +50°C IP30
Battery charger	350mA 27V/DC 20°C	Dimensions	248x240x115mm
Devices per zone	32	Weight (without batteries)	2,2Kg
Control panel power supply	3A	Standard	EN 54-2 EN 54-4
Maximum current per zone	2mA (standby)		



Wiring diagram for IRON control panel