



Addressable alarm sounders

SIRAY / SIRAYL / SIRAY+BSLC



The references SIRAY / SIRAYL / SIRAY + BSLC are made up of the following elements:

- SIRAY= Sounder + SIRAYC card
- SIRAYL= Sounder with light + SIRAYC card
- SIRAY+BSLC= Sounder + SIRAYC card + Base with light

SIRAYC card is a digital module microprocessed and addressable device (with short-circuit isolator) installed as another element inside the loop. The sounder is made of in ABS heat-resistant plastic red color.

Is a module with a single programming function in terms of the timing and combination of sensors that trigger it. This sounder is configured as a relay acting as sounder.

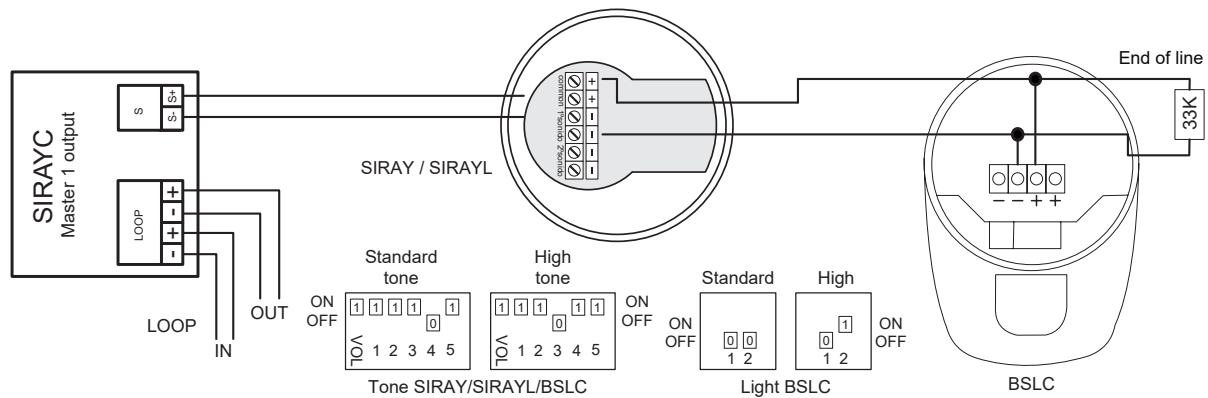
The variant SIRAYL and SIRAY+BSLC additionally emit light signals, where in addition, the SIRAY+BSLC makes it according to EN 54-23 (visual alarm device). The fact that specifically these sounders emitting light does not affect the programming of the control panel. For this reason, these devices are programmed in the control panel as if they were the reference SIRAY.

The standard configuration of the sound of the sounder is shown in the bottom figure according to EN 54-3 (acoustic device). The same

figure shows the standard configuration of the light signal at the base of the sounder SIRAY+BSLC according to EN 54-23 (visual alarm device).

It is possible to change the tone and light signal selection, but this operation affects the power consumption of the sounder, and therefore, the consumption of the device points. It is possible to calculate the consumption with the calculation software of loop elements capacity.

Internal wiring and other microswitch positions must be unmodified selected by the manufacturer.



| TECHNICAL FEATURES | | | |
|------------------------|------------------------------------|---------------|----------------------------------|
| Power supply | 24 - 35V with polarity | Standard | EN 54-3 / EN 54-23 (BSLC) |
| Standby current | 1mA | | SIRAYC: EN54-17 and EN 54-18 |
| Alarm current | 5 - 50mA | IP protection | IP65 |
| Short-circuit isolator | Yes | | |
| Operative temperature | -10°C - +55°C | Sound level | 95 / 105dB - 1m (SIRAY / SIRAYL) |
| Dimensions | Ø95x91mm / Ø95x107mm (SIRAYL) | Light level | w 2,4 - 2,3 / 7,5m (BSLC) |
| | Ø95X95 (high) x 135mm (SIRAY+BSLC) | | |